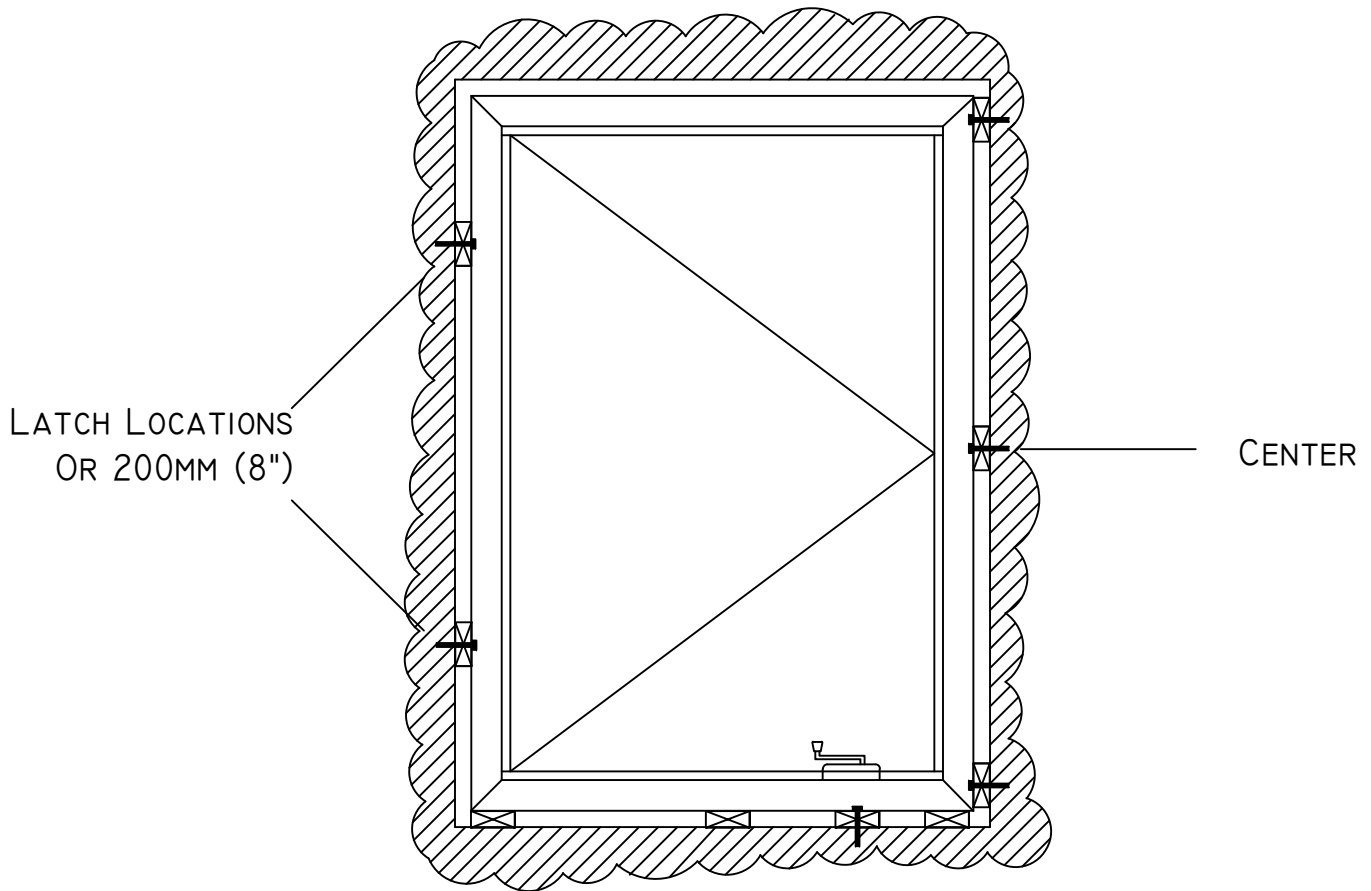


Shim & Anchor

Casement Window

Fasten as indicated

Fasteners should not be placed through jamb extensions to secure the window to the surrounding wall



FASTENER LONG ENOUGH TO PENETRATE
A MINIMUM OF 25MM (1") INTO THE ROUGH
OPENING STUDS.



SHIM WITH ANCHOR



SHIM LOCATION