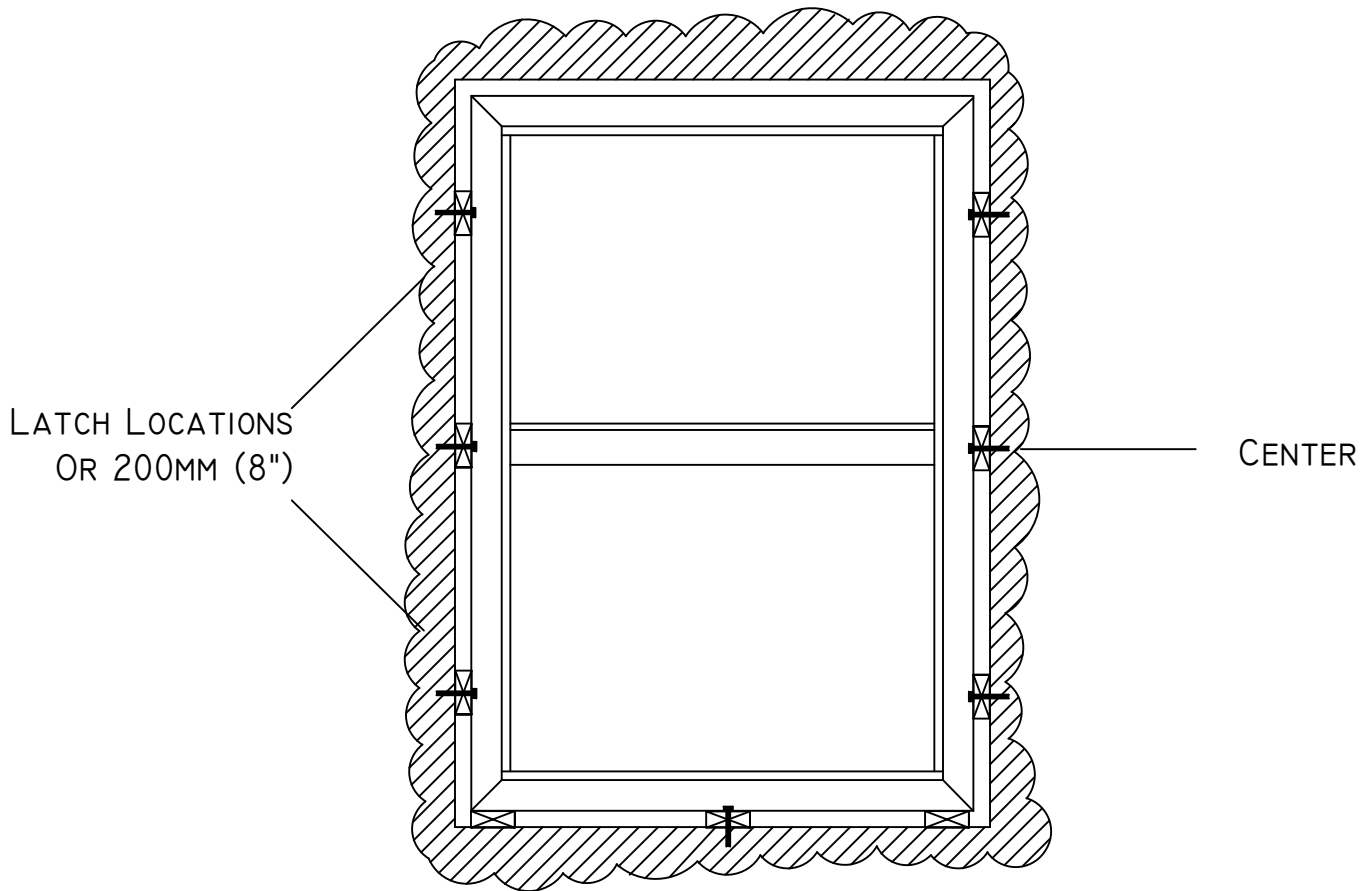


Shim & Anchor

Vertical Sliding Window

Fasten as indicated

Fasteners should not be placed through jamb extensions to secure the window to the surrounding wall



FASTENER LONG ENOUGH TO PENETRATE
A MINIMUM OF 25MM (1") INTO THE ROUGH
OPENING STUDS.

 SHIM WITH ANCHOR

 SHIM LOCATION